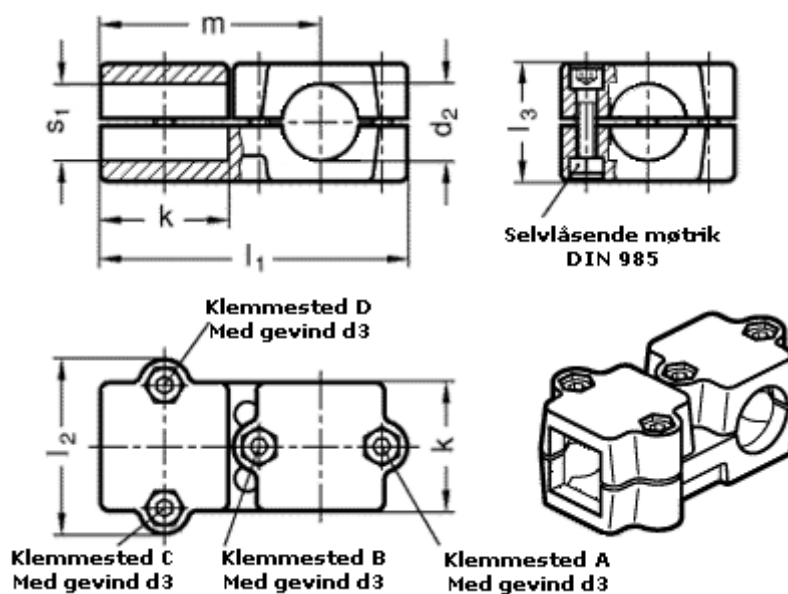


Article number: 20194B20V202SW

Description: E+G

T-angel clamps GN194-B20-V20-2-SW

## Measures



$d1 = 20$

$d3 = M 8$

$k = 50$

$l1 = 120$

$l2 = 68$

$l3 = 46$

$m = 85$

$s2 = 20$